

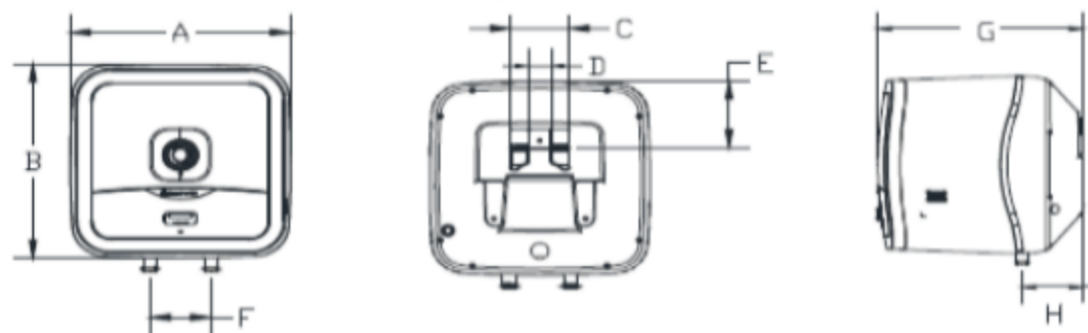


ANDRIS2 LUX

THE ELEGANCE AND THE EFFICIENCY



- / **Auto Diagnosis** uses a microprocessor to continuously check all product parameters
- / **Titanium Heating element** assures heating performance during the whole product life
- / **LED display with electronic temperature control**
- / **Scalding prevention** indicator to avoid burning
- / **Shower ready** friendly indicator for hot water availability
- / **Titanshield technology** for best tank protection with titanium enameling and enhanced Mg anode
- / **AG+ technology** with antibacterial properties providing greater hygiene
- / **High density insulation** for energy saving
- / **Premium Italian art design** by Umberto Palermo



MODEL	A	B	C	D	E	F	G	H
AN2 - 15L	360	360	94	38	123	100	324	81
AN2 - 30L	447	447	94	38	143	100	386	114



THE CHICAGO
ATHENAEUM
MUSEUM OF
ARCHITECTURE
AND DESIGN

CAPACITY [L]	15; 30
POWER [kW]	1,5
VOLTAGE [V]	230
MAX WORKING TEMPERATURE [°C]	80
MAX WORKING PRESSURE [MPa]	7,5
HEATING TIME (ΔT= 35 °C)	25mins (15L); 50 mins (30L)
TEMPERATURE REGULATION	Knob + temperature LED
HEATING ELEMENT MATERIAL	100% Titanium
NET WEIGHT [kg]	8 (15L); 13 (30L)
IP PROTECTION	IPX1
DIMENSIONS W x H x D [mm]	360 x 360 x 324; 447 x 447 x 386
WARRANTY (TANK-HEATING EL.)	5y – LIFETIME